

Supported Maximum Configurations

Compatibility Guide

Contents

e-STUDIO408P/478P	4
e-STUDIO408S/448S	5
e-STUDIO478S.....	6
e-STUDIO388CP	7
e-STUDIO338CS/388CS	8
e-STUDIO528P.....	9
e-STUDIO389CS/479CS	13
Printer stand	14

Sep. 2018

OME180002A0
R180220U5101-TTEC



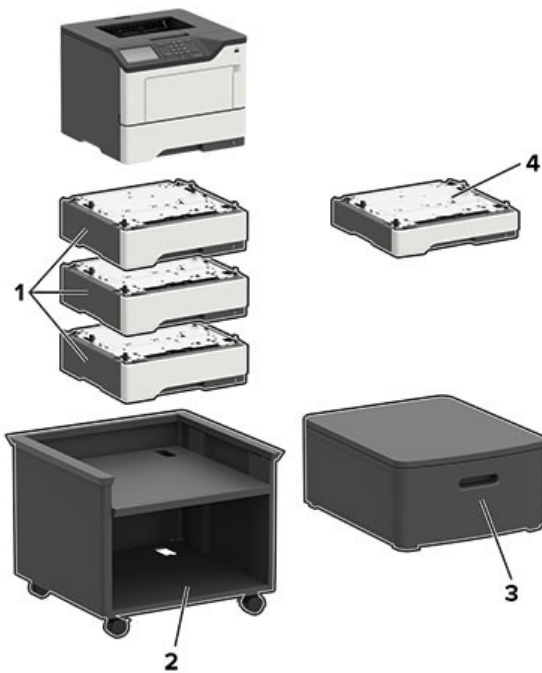
Supported maximum configurations

The following tables provide information about the maximum possible configurations for each printer, option, and furniture stand.

Each row represents a supported maximum configuration. If an option is removed from a particular row, then the information would still indicate an acceptable configuration.

Some options are not supported depending on the sales regions.

e-STUDIO408P/478P



Printer options, maximum configurations, product name, and dimensions

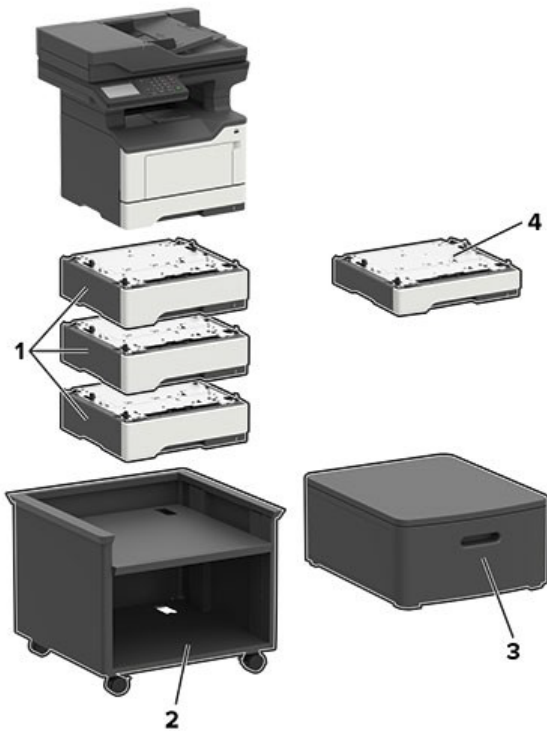
	Option	Placement				Product name	Dimensions (height, width, and depth)
		Table or desktop	Floor	Adjustable printer stand	Swivel cabinet		
1	550-sheet tray ^{*1, *2}	3	3	3	3	KD-1061	126 x 389 x 374 mm (5 x 15.7 x 14.7 in.)
2	Adjustable printer stand	N/A	1	N/A	N/A	KK-3200	584 x 597 x 597 mm (23 x 23.5 x 23.5 in.)
3	Swivel cabinet	1	1	N/A	N/A	MH-3100	263 x 476 x 600 mm (10.4 x 18.7 x 23.6 in.)
4	250-sheet tray ^{*1, *2}	3	3	3	3	KD-1060	95 x 389 x 374 mm (3.7 x 15.7 x 14.7 in.)

*1 The optional trays can be installed in any order.

*2 Only one optional tray can be configured with e-STUDIO408P.

Printer model	Dimensions (height, width, and depth)
e-STUDIO408P	260 x 399 x 374 mm (10.2 x 15.7 x 14.7 in.)
e-STUDIO478P	303 x 399 x 374 mm (11.9 x 15.7 x 14.7 in.)

e-STUDIO408S/448S



Printer options, maximum configurations, product name, and dimensions

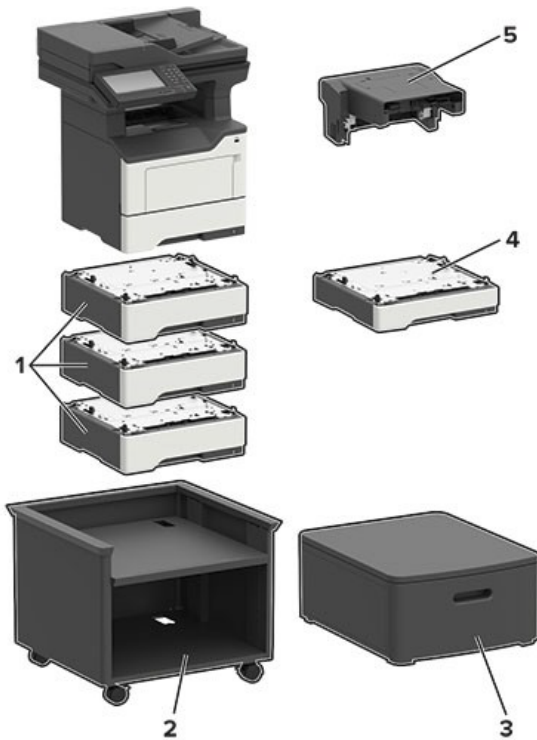
	Option	Placement				Product name	Dimensions (height, width, and depth)
		Table or desktop	Floor	Adjustable printer stand	Swivel cabinet		
1	550-sheet tray ^{*1, *2}	3	3	3	3	KD-1061	126 x 389 x 374 mm (5 x 15.7 x 14.7 in.)
2	Adjustable printer stand	N/A	1	N/A	N/A	KK-3200	584 x 597 x 597 mm (23 x 23.5 x 23.5 in.)
3	Swivel cabinet	1	1	N/A	N/A	MH-3100	263 x 476 x 600 mm (10.4 x 18.7 x 23.6 in.)
4	250-sheet tray ^{*1, *2}	3	3	3	3	KD-1060	95 x 389 x 374 mm (3.7 x 15.7 x 14.7 in.)

*1 The optional trays can be installed in any order.

*2 Only one optional tray can be configured with e-STUDIO408S.

Printer model	Dimensions (height, width, and depth)
e-STUDIO408S	467 x 399 x 429.5 mm (18.4 x 15.7 x 16.9 in.)
e-STUDIO448S	477 x 489 x 429.5 mm (18.8 x 19.3 x 16.9 in.)

e-STUDIO478S



Printer options, maximum configurations, product name, and dimensions

	Option	Placement				Product name	Dimensions (height, width, and depth)
		Table or desktop	Floor	Adjustable printer stand	Swivel cabinet		
1	550-sheet tray*	3	3	3	3	KD-1061	126 x 389 x 374 mm (5 x 15.7 x 14.7 in.)
2	Adjustable printer stand	N/A	1	N/A	N/A	KK-3200	584 x 597 x 597 mm (23 x 23.5 x 23.5 in.)
3	Swivel cabinet	1	1	N/A	N/A	MH-3100	263 x 476 x 600 mm (10.4 x 18.7 x 23.6 in.)
4	250-sheet tray*	3	3	3	3	KD-1060	95 x 389 x 374 mm (3.7 x 15.7 x 14.7 in.)
5	Staple finisher	1	1	1	1	MJ-1044	195 x 409 x 371 mm (7.7 x 16.1 x 14.6 in.)

* The optional trays can be installed in any order.

Printer model	Dimensions (height, width, and depth)
e-STUDIO478S	545 x 489 x 476.5 mm (21.5 x 19.3 x 18.8 in.)

e-STUDIO388CP**Printer options, maximum configurations, product name, and dimensions**

	Option	Placement				Product name	Dimensions (height, width, and depth)
		Table or desktop	Floor	Adjustable printer stand	Swivel cabinet		
1	650-sheet duo tray	1	1	1	1	KD-1064	133 x 424 x 416 mm (5.2 x 16.7 x 16.4 in.)
2	550-sheet tray*	1	1	1	1	KD-1063	133 x 424 x 416 mm (5.2 x 16.7 x 16.4 in.)
3	Adjustable printer stand	N/A	1	N/A	N/A	KK-3200	584 x 597 x 597 mm (23 x 23.5 x 23.5 in.)
4	Swivel cabinet	1	1	N/A	N/A	MH-3100	263 x 476 x 600 mm (10.4 x 18.7 x 23.6 in.)

* When installed with the 650-sheet duo tray, place this tray at the bottom of the configuration.

Printer model	Dimensions (height, width, and depth)
e-STUDIO388CP	545 x 489 x 476.5 mm (21.5 x 19.3 x 18.8 in.)

e-STUDIO338CS/388CS



Printer options, maximum configurations, product name, and dimensions

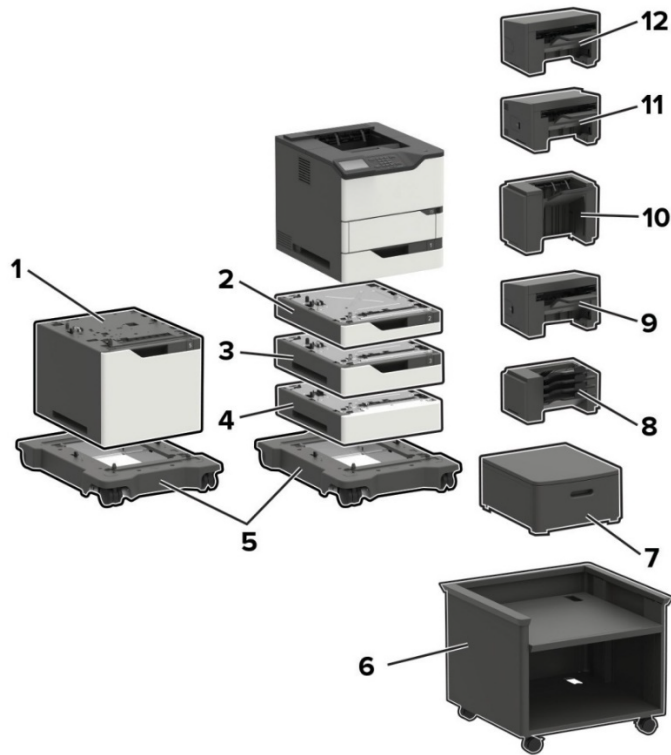
	Option	Placement				Product name	Dimensions (height, width, and depth)
		Table or desktop	Floor	Adjustable printer stand	Swivel cabinet		
1	650-sheet duo tray ^{*1}	1	1	1	1	KD-1064	133 x 424 x 416 mm (5.2 x 16.7 x 16.4 in.)
2	550-sheet tray ^{*2}	1	1	1	1	KD-1063	133 x 424 x 416 mm (5.2 x 16.7 x 16.4 in.)
3	Adjustable printer stand	N/A	1	N/A	N/A	KK-3200	584 x 597 x 597 mm (23 x 23.5 x 23.5 in.)
4	Swivel cabinet	1	1	N/A	N/A	MH-3100	263 x 476 x 600 mm (10.4 x 18.7 x 23.6 in.)

*1 When installed with the 550-sheet tray, place this tray below the printer.

*2 When installed with the 650-sheet duo tray, place this tray at the bottom of the configuration.

Printer model	Dimensions (height, width, and depth)
e-STUDIO338CS, 388CS	462 x 442 x 588 mm (18.2 x 17.4 x 23.1 in.)

e-STUDIO528P



Printer options, product name, and dimensions

	Option	Product name	Dimensions (height, width, and depth)
1	2100- sheet tray	KD-1069	350 x 428 x 510 mm (13.8 x 16.8 x 20.1 in.)
2	250- sheet tray	KD-1065	80 x 428 x 510 mm (3.2 x 16.8 x 20.1 in.)
	250- sheet lockable tray	KD-1067	
3	550- sheet tray	KD-1066	133 x 424 x 416 mm (5.2 x 16.7 x 16.4 in.)
	550- sheet lockable tray	KD-1068	
4	Spacer	KK-4100	110 x 428 x 510 mm (4.3 x 16.8 x 20.1 in.)
5	Caster base	KK-4200	126 x 521 x 693 mm (5 x 20.5 x 27.3 in.)
6	Adjustable printer stand	KK-3210	521 x 653 x 625 mm (20.5 x 25.7 x 24.6 in.)
7	Swivel cabinet	MH-3100	263 x 476 x 600 mm (10.4 x 18.7 x 23.6 in.)
8	4- bin mailbox	MJ-5017	272 x 421 x 384 mm (10.7 x 16.6 x 15.1 in.)
9	Output expander	MJ-5019	165 x 421 x 380 mm (6.5 x 16.6 x 15 in.)
10	High capacity output expander	MJ-5018	310 x 421 x 335 mm (12.2 x 16.6 x 13.2 in.)

11	Staple, hole punch finisher	MJ-1046	263 x 462 x 507 mm (10.3 x 18.2 x 20 in.)
12	Staple finisher	MJ-1045	246 x 435 x 414 mm (9.7 x 17.1 x 16.3 in.)

Printer input options, furniture, maximum configurations, and placement

Option	Placement				
	Table or desktop	Swivel cabinet	Floor ^{*3}	Caster base ^{*4, *6}	Adjustable printer stand ^{*4}
250- sheet tray ^{*1, *2, *3, *4}	4	4	2	4	4
250- sheet lockable tray ^{*1, *2, *3, *4}					
550- sheet tray ^{*1, *2, *3, *4}			1	3	3
550- sheet lockable tray ^{*1, *2, *3, *4}					
Spacer					
2100- sheet tray ^{*2, *6}	N/A	N/A	N/A	1	N/A
Caster base ^{*4, *6}	N/A	N/A	1	N/A	N/A
Adjustable printer stand ^{*4, *7}	N/A	N/A	1	N/A	N/A
Swivel cabinet	1	N/A	1	N/A	N/A

*1 This tray can be configured with other optional trays in any order.

*2 Only one optional 250- or 550- sheet tray can be used when installing the 2100- sheet tray. Place the 2100- sheet tray at the bottom of the configuration.

*3 When placing the configuration on the floor, only one optional 250-sheet tray can be used with one optional 550- sheet tray or spacer.

*4 When placing the configuration on the caster base or adjustable printer stand, follow these maximum configuration instructions. If using three optional 550- sheet trays or spacers, no optional 250- sheet tray can be used. If using two *550- sheet trays or spacers, only one 250- sheet tray can be used. If using one 550- sheet tray or spacer, up to three 250- sheet trays can be used.

*5 When using a spacer, install it first, and then install any optional trays above it. Do not install the spacer with the 2100- sheet tray.

*6 The 2100- sheet tray requires the use of the caster base.

*7 For more information on supported configurations, see "Adjustable printer stand KK-3210" on page 14.

Printer output options, maximum configurations, and placement

Option	Placement				
	Table or desktop	Swivel cabinet	Floor ^{*3}	Caster base	Adjustable printer stand
4- bin mailbox ^{*1, *4}	3	3	3	3	3
Output expander ^{*1, *2, *4}					
High capacity output expander ^{*2, *3}	1	1	1	1	1
Staple finisher ^{*5}	1	1	1	1	1
Staple, hole punch finisher ^{*6}	1	1	1	1	1

*1 The 4-bin mailboxes and output expanders can be installed in any order.

*2 A single output expander is the only option that can be placed on top of the high capacity output expander.

*3 No other output option may be installed below the high capacity output expander.

*4 When used with a staple finisher, place this option below it.

*5 The staple finisher is always on top of the configuration. An additional 4- bin mailbox or output expander may be installed below it.

*6 Do not use the staple, hole punch finisher with any other output options.

Printer model	Dimensions (height, width, and depth)
e-STUDIO528P	441 x 428 x 510 mm (17.4 x 16.85 x 20.1 in.)

Maximum floor configuration



Maximum table or desktop configuration



Maximum swivel cabinet configuration



Maximum adjustable printer stand configuration



Maximum caster base configuration



Maximum 4-bin mailbox configuration



Maximum high capacity output expander configuration

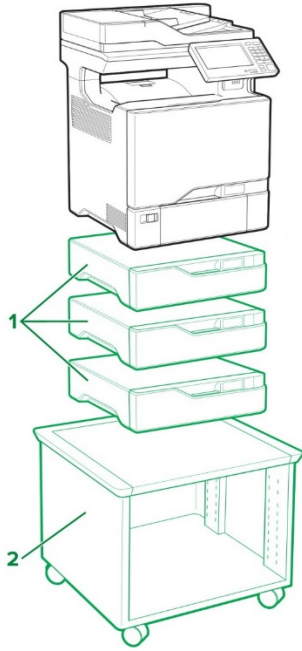


Maximum staple, hole punch finisher configuration



Maximum staple finisher configuration



e-STUDIO389CS/479CS

Legend: – Standard – Optional

Printer options, maximum configurations, product name, and dimensions

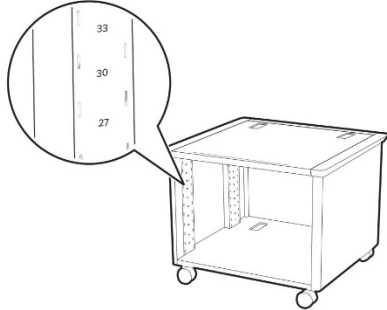
	Option	Placement			Product name	Dimensions (height, width, and depth)
		Table or desktop	Floor	Adjustable printer stand		
1	550-sheet tray	3	3	3	KD-1070	119 x 463 x 483 mm (4.7 x 18.23 x 19 in.)
2	Adjustable printer stand*	N/A	1	N/A	KK-3210	521 x 653 x 625 mm (20.5 x 25.7 x 24.6 in.)

* For more information on supported configurations, see “Adjustable printer stand KK-3210” on page 14.

Printer model	Dimensions (height, width, and depth)
e-STUDIO389CS, 479CS	648 x 505 x 533 mm (25.5 x 19.9 x 21 in.)

Printer stand

Adjustable printer stand KK-3210



Printer options, maximum configurations, product name, and dimensions

Shelf placement	e-STUDIO528P	e-STUDIO389CS/479CS
Topmost	Base printer	Base printer
41	Base printer + one optional 250- sheet tray	N/A
37	Base printer + one optional 550- sheet tray	Base printer + one optional 550- sheet tray
33	Base printer + two optional 250- sheet trays	N/A
30	Base printer + one optional 550- sheet tray + one optional 250- sheet tray	N/A
27	Base printer + two optional 550- sheet trays	N/A
25	Base printer + three optional 250- sheet trays	Base printer + two optional 550- sheet trays
22	Base printer + two optional 250- sheet trays + one optional 550- sheet tray	N/A
19	Base printer + one optional 250- sheet tray + two optional 550- sheet trays	N/A
16	Base printer + four optional 250- sheet trays	N/A
	Base printer + three optional 550- sheet trays	
13	Base printer + three optional 250- sheet trays + one optional 550- sheet tray	Base printer + three optional 550- sheet trays